

PIN & LINK REPLACEMENTS



Bulletin no. 13406 1 of 2

New: Feb. 17, 2000

Rev. 0



**FIXED LEG
LINKS & SPIDER**

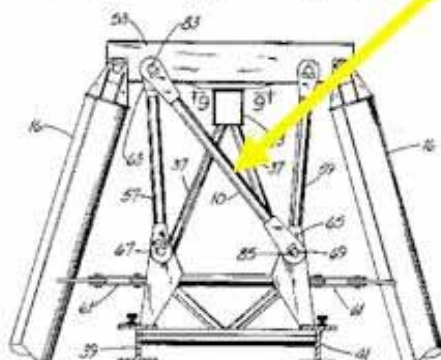
**TECHNICAL DATA SHEET
PIN & LINK REPLACEMENTS
PORTAL CRANE**



Girder/Leg Pins - upper/lower



Patented Diagonal Brace Link



FEATURES

- Tightens loose joints
- Restores new tolerances
- Replaceable bushings/horizontal
- Easy field installation process

BENEFITS

- Reduces stresses in structure
- Extends crane life



For further details contact

Morris Material Handling
Phone 800-933-2313
www.morriscranes.com

PIN & LINK REPLACEMENTS



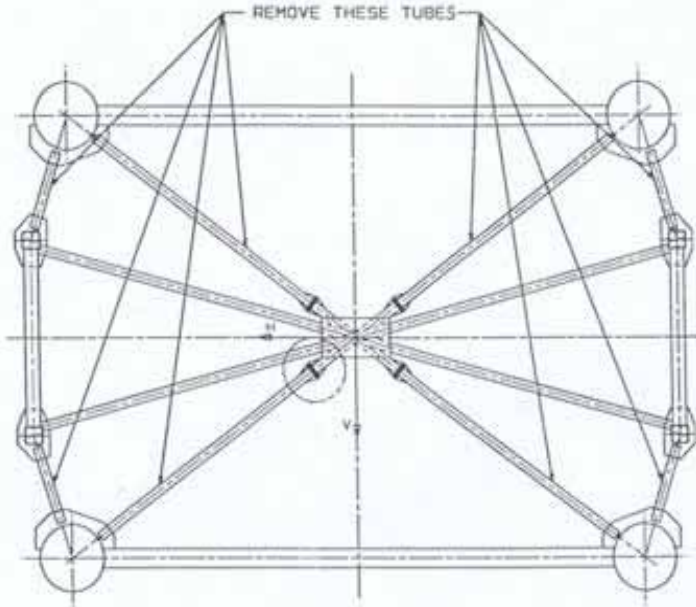
Bulletin no.13406 2 of 2

New: Feb. 17, 2000

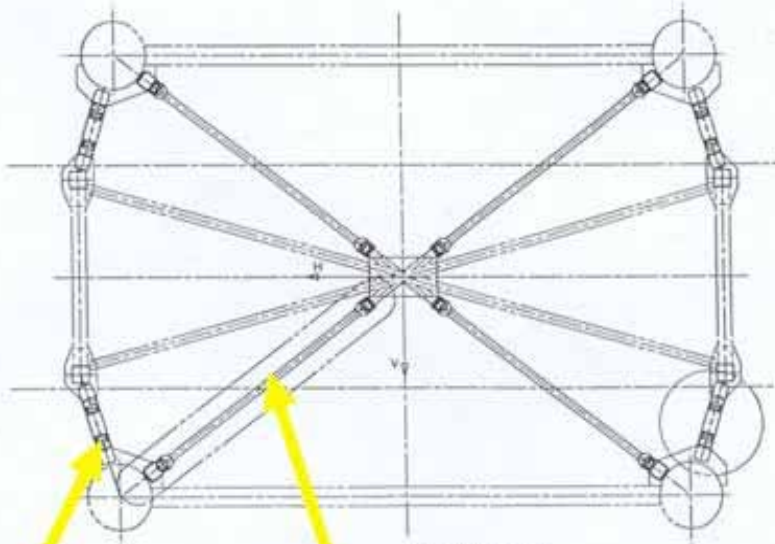
Rev. 0

FIXED LEG HORIZONTAL CROSS BRACING (SPIDER LINKS)

REMOVE THESE TUBES



PLAN VIEW
EXISTING BRACING



PLAN VIEW
MODIFICATION

Fixed Leg Spider Link Replacement

TECHNICAL DATA SHEET
PIN & LINK REPLACEMENTS
PORTAL CRANE

MORRIS
MATERIAL HANDLING

For further details contact

Morris Material Handling
Phone 800-933-2313
www.morriscranes.com